



TSS-POL-GBU/RCBU Turn Signal System

Thank you for purchasing XTC Power Products Turn Signal System. Our new Easy Install Turn Signal System is unique from the other kits on the market. This kit is from our Plug & Play product line, no wires to cut, no crimping with Plug in power and plug it into the OEM Rear Harness. Like many cars on the road today, our kit uses the factory brake lights as turn indicators. The new General does not require pulling the car apart to install the turn kit, only the Hood, one inspection panel and the dash storage box need to be removed, that's it! This system fits multiple Polaris UTV's

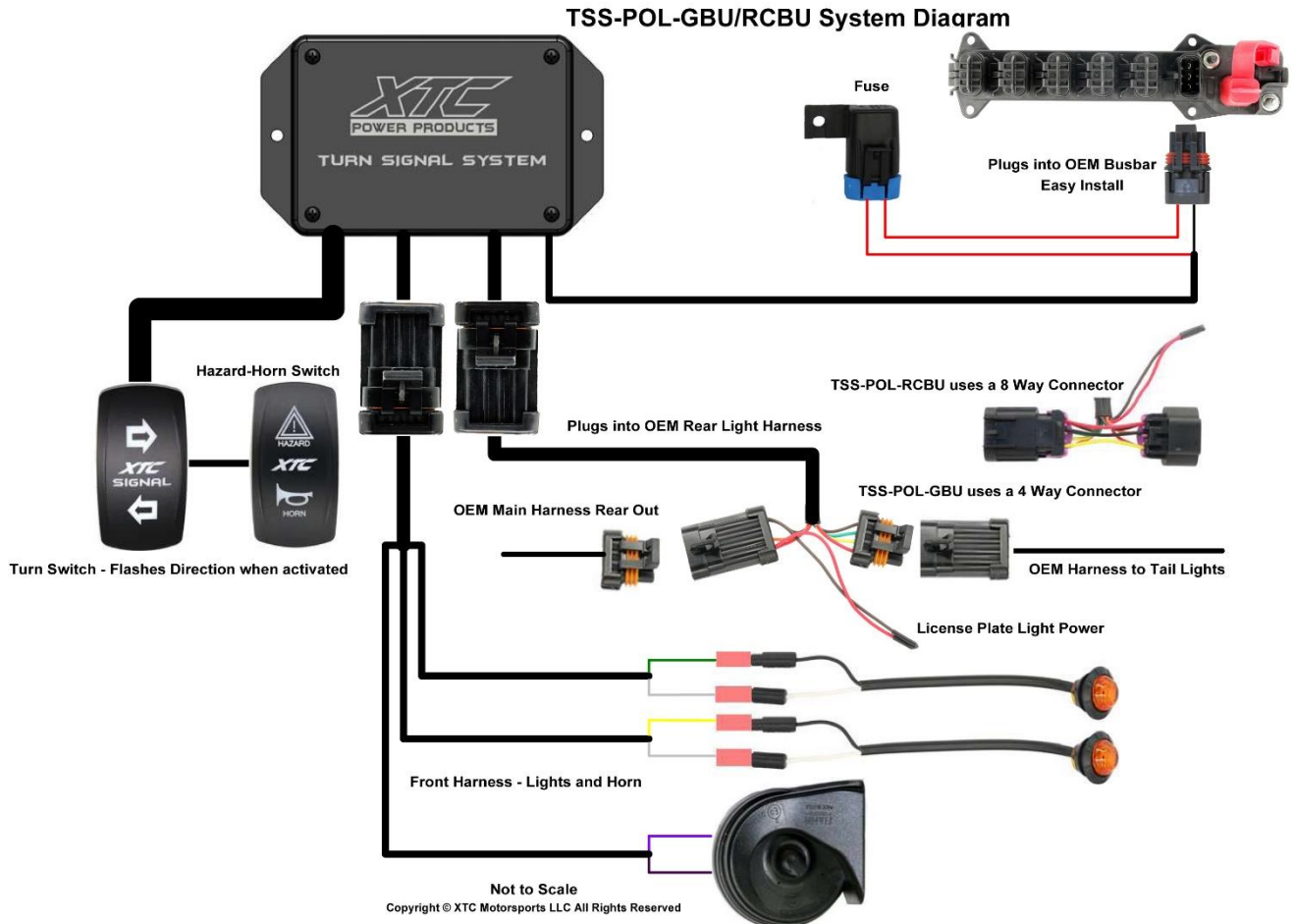
Since these Systems fit more than one UTV, the below instructions cover basic install instructions. Please remember that the Control Box and switches can be mounted in many places, we only give suggestions. We only interface with the OEM wiring at the rear Light Harness and the Power Busbar Plug.

We are referencing 2 models, they are the same except for the Rear Harness.

The TSS-POL-GBU has a Rear Harness with a 4 Way Connector.

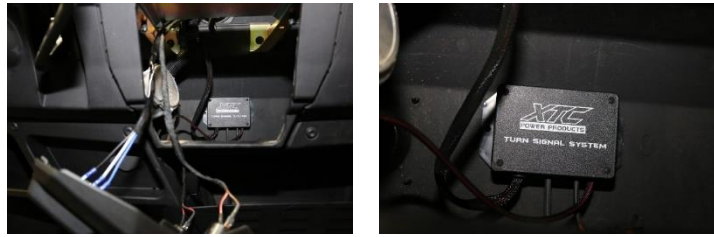
The TSS-POL-RCBU has a Rear Harness with an 8 Way Connector.

Please read the instructions fully and familiarize yourself with the components before starting the install. The diagram below shows the overall system layout. The Diagrams below show the two models.



1. Remove the hood and Dash cover if installing under the dash

2. Mount the Control Unit using two self-tapping screws provided. The Control Box may be mounted under the dash or up under the hood, just make sure before mounting that the turn switch harness can make it to the dash where you want the switch mounted.



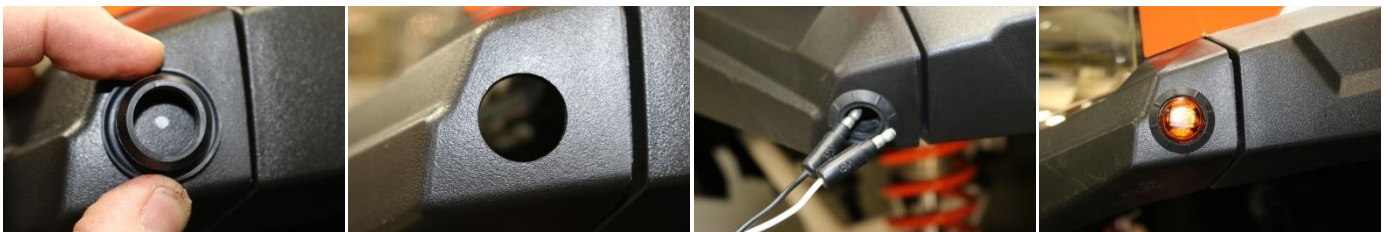
WARNING! Make sure to keep the harness away from any hot or moving parts

3. Under the rear bed is the OEM rear tail light harness, the GBU has a 4-way connector and the RCBU has an 8-Way Connector, unplug the connector and plug our long harness into it. Run the single 4-Pin connector to the front of the car. Follow the air intake tube down to the center of the car, the cable can be pulled through the inspection area in the cab up the fire wall through the rubber grommet. Insert this connector into the control box connector.



WARNING! Verify that there is clearance where you want to mount the front LED lights before drilling the holes.

4. Front LED Turn Lights – The front LED Turn Indicators can be mounted with the rubber grommet or without. If the grommet is **not** being used drill 5/8" holes. If the grommet is being used drill 3/4" holes. Remove and install the rubber grommet from the LED into the hole if being used. Insert LED into the hole with the Top marking up. NOTE: the TOP marking is on the front of the LED lens. The Lights may be mounted anywhere on the front of the car, for the sample we chose the corner of the trim because it can be seen from both the front and side of the car, **on the General clearance is very tight.** If choosing this location use the rubber grommet as a template and mark as far forward and as low as you can to avoid lip on inside.



5. Plug the short Front Harness into the Control Box. Run the front right and left wire harness through the center grommet as shown, the green and white wire go to the right side of the car and the yellow and white go to the left side, connect the green wire to right black wire and yellow wire to left black wire and white to white on both.

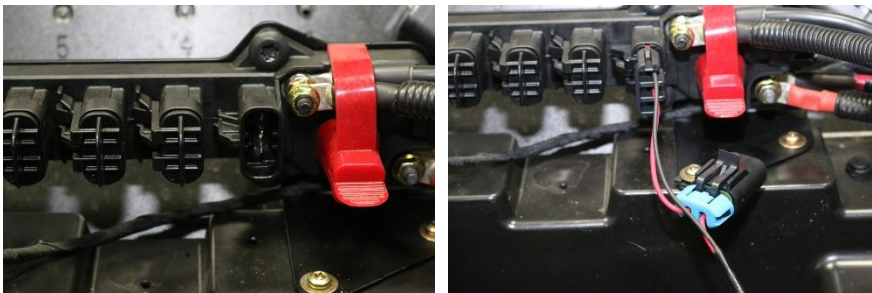
NOTE: The Black LED wire is positive and goes to the yellow and green wires, they will not work if reversed, white is ground. Secure the Harness using the provided cable ties.

6. Install the Turn and Horn/Hazard Switches. Using a new sharp razor, cut two switch rectangles out. Do not over cut, try inserting switch and trim as necessary. It helps to rock the razor to cut.

7. Run Switch Harness - Run the two connectors through the rectangle switch cutouts and use included grease (see step 9) then connect to turn switch and slide switch into dash.
8. **Dielectric Grease** - Just like the OEM we recommend using Dielectric Grease on all switch terminals, this keeps the water out and will also reduce corrosion and increases reliability! Open the grease and put on the switch terminals and the connector terminals, the more the better, also put on the Horn/Hazard switch terminals. It should also be used on any extra switches that you may have installed.



9. Install the Horn. Install the Horn mounting bracket to the horn. Pull out a Busbar Torx screw or using the included #10 x 1" screw, mount the horn in one of the plastic holes as shown above. Connect the violet wire to one of the horn terminals and the black wire to the other terminal.
10. Run the power wire to the Busbar, remove one of the blanks and plug into the Busbar. Remove the Torx screw and attach the fuse holder and reinstall the Torx screw.



11. Verify operation of all lights.
12. Using the provided Cable Tie's secure the harness completely. Reinstall removed parts

Optional - The Tan wire next to the Turn Switch is for an optional Dash Indicator. When the TSS is activated it will flash 12 VDC that can be attached to an Optional Dash Mounted LED Light. More Information can be found at www.xtcinstall.com

For more details on installation go to www.xtcinstall.com

We can also be reached by email at support@xtcpowerproducts.com

XTC Power Products
A Division of XTC Motorsports LLC
925 N McQueen RD. #101
Gilbert AZ 85233
480-558-8588
www.xtcpowerproducts.com

*Disclaimer: This kit is intended for off road use only and XTC Motorsports claims no responsibility for its use. It is up to the purchaser to make sure it complies with all Federal, State and Local laws.

R2

Copyright © 2019 XTC MOTORSPORTS LLC, all rights reserved.