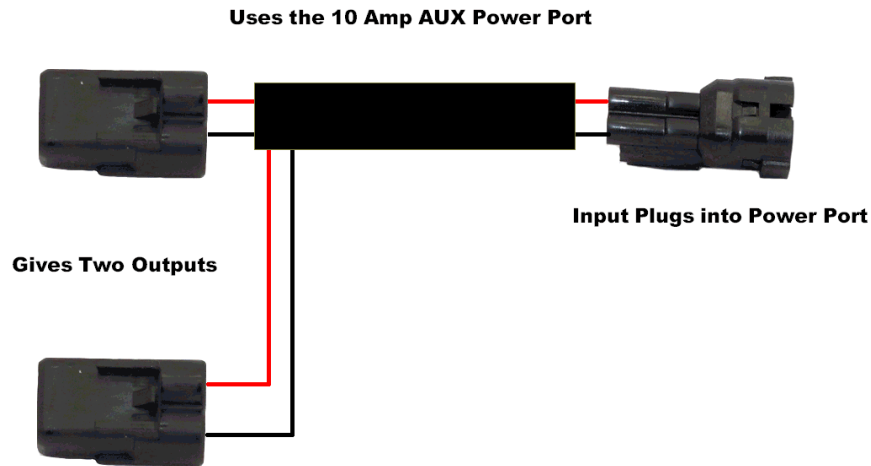




Honda Accessory Power Adapters

Thank you for purchasing XTC's Accessory Power Adapter. Please read the instructions fully and familiarize yourself with the components before starting the install.



1. Remove the hood, un-hook the rubber fire wall from the dash cover



2. Next to the Power Steering unit is a blue connector, un-plug the blue connector from the holder by lifting on the small center tab. Plug in the adapter, attach the device to be powered, all devices installed should have there own in-line fuse

The accessory port shares the same fuse as the Dash DC Outlet, it is a 10 Amp Fuse.

WARNING! Do not exceed the overall power out of the of the DC Outlet Circuit, 10 Amps.

**XTC Offers a keyed upgrade kit that gives a 35 AMP Busbar to attach more devices
Part # PCS-S2-KBUS**

We can be reached by email at support@powerproducts.com

To purchase Accessories please visit our web site at www.xtcpowerproducts.com

Copyright © 2023 XTC MOTORSPORTS LLC, all rights reserved.

XTC Power Products
A Division of XTC Motorsports LLC
380 E Comstock Dr.
Chandler AZ 85225
480-558-8588
www.xtcpowerproducts.com