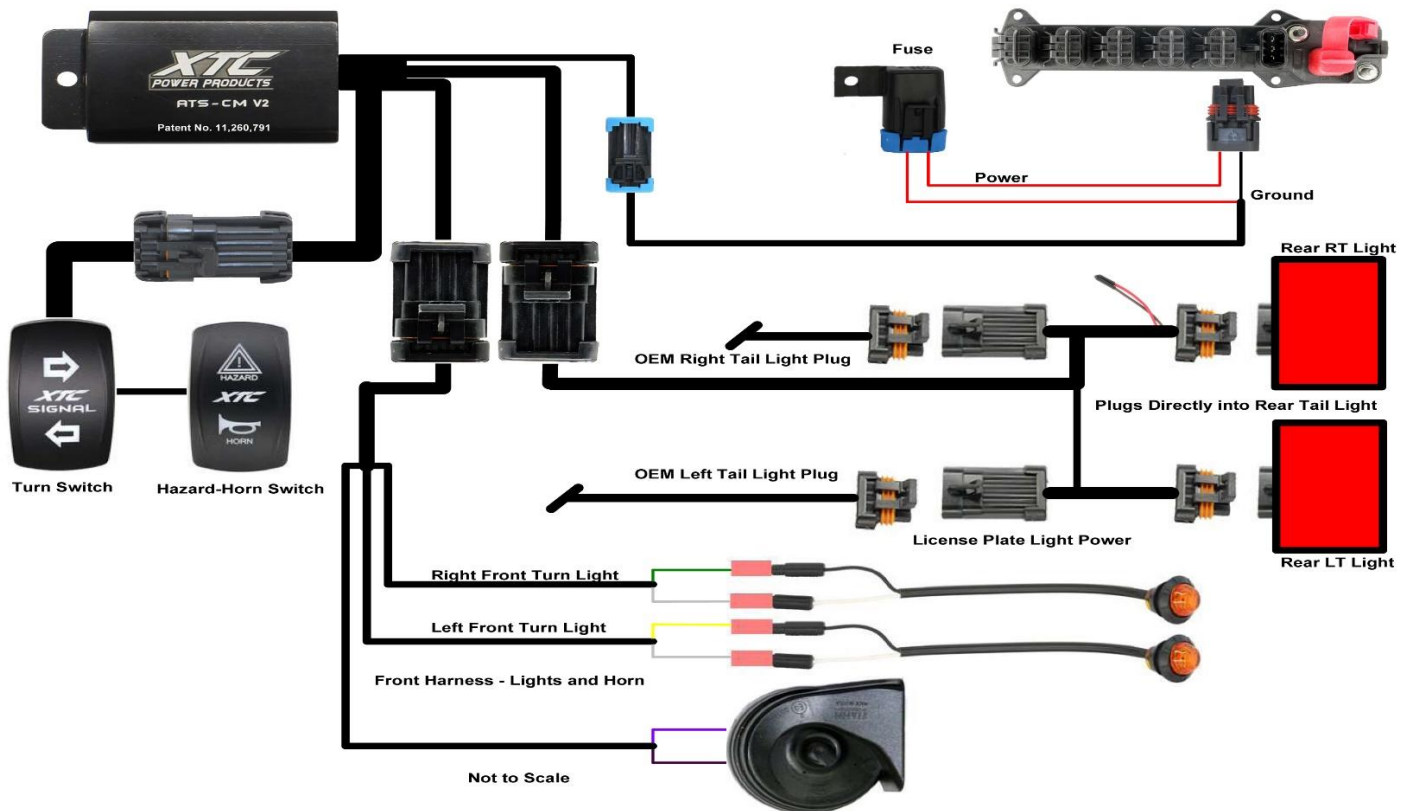




RZR XP1000 Turn Signal System

Thank you for purchasing XTC Power Products ATS-POL-X24 Automatic Self-Canceling Turn Signal System. Our Easy-Install Turn Signal System is unique from the other kits on the market. This kit is from our Plug & Play™ product line, no wires to cut, no crimping, plugs into OEM Pulse Power System for Power. We use our Patented System that plugs into the OEM Taillights, utilizing the Brake Lights as Brake and Turn Signals.

Please read the instructions fully and familiarize yourself with the components before starting the installation. The diagram below shows the overall system layout.



1. Install Rear Light Harness - Take the long rear harness with five connectors and unroll. Remove the 4 Torx T-40 screws holding the bed box. Also remove the front Hood and Dash Cover, two Torx screws each.



2. The Harness is installed In-Line with each rear taillight. At the Drivers Side rear OEM taillight, unplug the 4-Pin connector and plug the connector with a yellow wire into the taillight, then plug the removed factory connector into the Harness. Run the other 4 Pin connectors with a green wire across to the passenger side, run along OEM harness, plug into passenger side taillight, then plug the removed factory connector into the Harness, secure the harness with included Zip Ties.



WARNING! Make sure to keep the harness away from any hot or moving parts.

Using a T-40 Torx bit, remove top Torx screws on the driver's side Rocker panel and front fender, exposing the side chassis and fender support. Run the rear harness from the taillight along the frame to the shock mount, down to where there is a gap in the plastics going into the passenger compartment. Drop the harness into the rocker panel then up into the left fender well. At the top is an opening into the dash, run the cable to the center dash cover, plug into the Control Module and leave it laying there. **NOTE: Shown in Red for photos.**

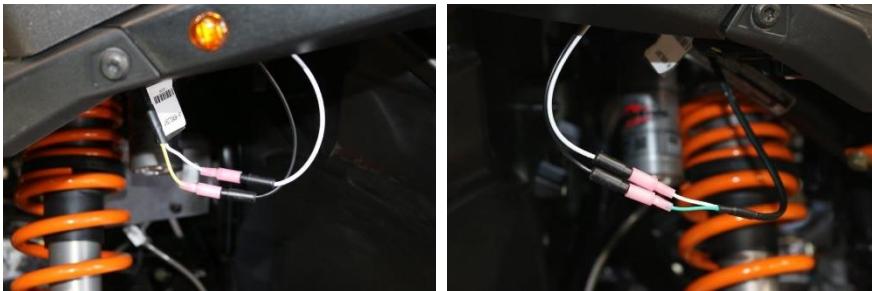


WARNING! Verify that there is clearance where you want to mount the front LED lights before drilling the holes!

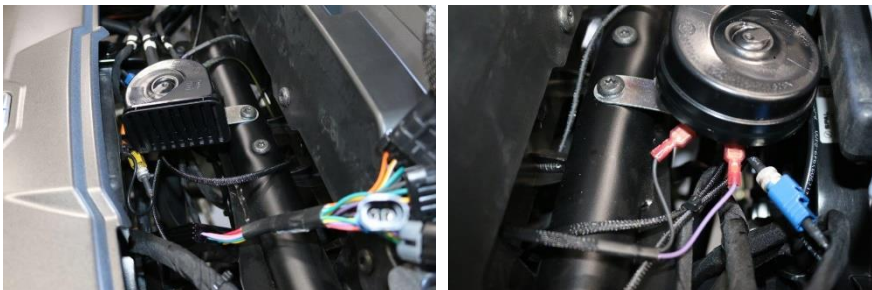
3. Front LED Turn Lights – The front LED Turn Indicators can be mounted with the rubber grommet or without. If the grommet is **not** being used drill 5/8" holes. If the grommet is being used drill 3/4" holes. Remove and install the rubber grommet from the LED into the hole if being used. Insert LED into the hole with the Top marking up. NOTE: the TOP marking is on the front of the LED lens. Drill and install the Front LED Lights.



4. Run the Front short harness through the rubber fire wall grommet and plug into the Control Module shown above. Make sure to run both wires over the front frame/shock mount to keep away from moving shock. Run the connector with the green and white wire to the right side of the car to the right LED turn light, run the connector with the yellow and white to the left side LED turn light, connect the green wire to right black wire and yellow wire to left black wire and white to white on both. **NOTE: The Black LED wire is positive and goes to the yellow and green wires, they will not work if reversed, white is ground. Secure the Harness using the provided cable ties.**



5. Install the Horn. On the front frame under the hood, there is two Torx screws, remove one and mount the horn. Connect the Violet and Black wire to horn terminals, position does not matter.



6. Install the Turn and Horn/Hazard Switches. Remove 2 of the switch plugs.



Run Switch Harness—Plug the Switch Harness into the Control Module, run the two connectors through the rectangle switch cutouts and use included grease on the terminals then connect to turn switch and Hazard/Horn, slide switches into dash.

7. Plug the Power Harness into the Control Module. Run the power wire to the Busbar, remove one of the blanks and plug into the factory Pulse Busbar.



8. **Verify Operation:** The System uses momentary switches to activate. Turn the car key to the on position, Press the Right or Left Actuator accordingly. You can cancel the signal at any time by pushing the activated switch a second time or it will cancel as follows:

Press 1 Second for Lane Change, will stay on approx. 8 Seconds / 10 Flashes

Press 2 Seconds for Slowing to Turn Corners, will stay on approx. 20 Seconds / 30 Flashes

Press 5 Seconds for Traffic Lights when stopping and waiting, will stay on approx. 75 Seconds / 110 Flashes

The Systems Automatic Self-Cancelling may be overridden/Shut Off at any time by pushing the activated switch.

Hazard Lights - press to activate and press again to deactivate, it does not self-cancel. Test the Horn

9. Mount the Control Module in the dash using the screw provided.



10. Using the provided Cable Tie's secure the harness completely. Reinstall any removed parts.

We can be reached by email at support@xtcpowerproducts.com

XTC Power Products
A Division of XTC Motorsports LLC
380 E Comstock Dr.
Chandler AZ 85225
480-558-8588
www.xtcpowerproducts.com

*Disclaimer: This kit is intended for off road use only and XTC Motorsports claims no responsibility for its use. It is up to the purchaser to make sure it complies with all Federal, State and Local laws. R1
Copyright © 2023 XTC MOTORSPORTS LLC, all rights reserved.