



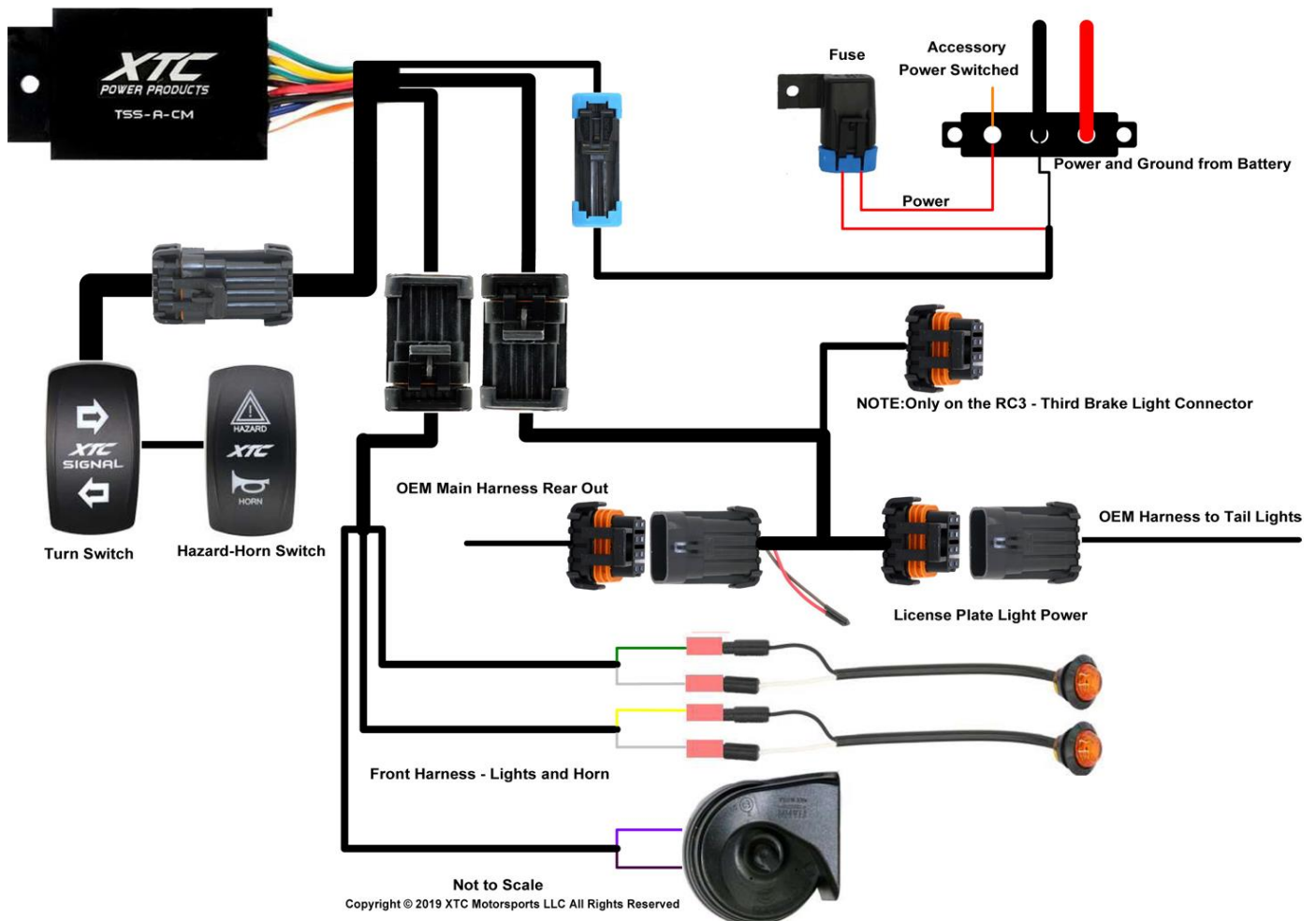
ATS-POL-RC2 & RC3 TURN SIGNAL SYSTEM

Thank you for purchasing XTC Power Products Automatic Self-Canceling Turn Signal System. Our Easy Install Turn Signal System is unique from the other kits on the market. This kit is from our Plug & Play™ product line, no wires to cut, no crimping with only power, ground and plugs into the OEM Tail Light Harness, utilizing the brake lights as Brake and Turn Signals.

ATS-POL-RC2 Fits 2019 RZR XP and 2017 up RZR XP with Factory Ride Command (Models w/8pin Tail light harness)
 ATS-POL-RC3 fits RZR TURBO S & 2019 RZR XP models w/3rd Brake light

Please read the instructions fully and familiarize yourself with the components before starting the install.

ATS-POL-RC2 & RC3 Automatic Self-Canceling Turn Signal System



1. **Remove the hood and Dash Cover** - remove Four Torx screws and remove dash cover.
2. **Mount Control Module** under dash on the dash support cross bar with supplied self tapping screw.



3. **Plug Rear Harness into OEM Ride Command 8 pin Connector** - Unplug the wire harness at the rear left side and connect our harness inline. (Note: There is a Red and Black power wire provided for an optional license plate light). The **ATS-POL-RC3** fits cars with third brake light. Reach into the rear and unplug the center brake light, run the 4-pin connector to the third brake light and plug in.



4. **Run Rear Harness** – Remove the seats and center plastic console. Starting at the rear run the long harness with the single 4 Pin Connector through the center of the car up the outside of the firewall through the rubber grommet to the control module and it plug in. **Secure cable using the supplied cable tie's making sure to keep the harness away from any Hot or Moving parts.**



WARNING! Verify that there is clearance before drilling holes for the LED's.

5. **Install the two front LED lights** - Drill 5/8" or a 3/4" holes in the front corners, 5/8" if not using the rubber grommet, remove the rubber grommets from the LED's and insert into the holes, insert the LED's into the grommets with the mark TOP on the lens on top.



Run the short front harness through rubber grommet to the control module and plug in. Run the green wire to the right (passenger) side and connect the green wire to the black and the white to white. Run the yellow wire harness to the left (drivers) side, yellow wire attaches to black wire and the white wire goes to white. **NOTE: Black wire is positive and will not work if reversed. White is ground. Secure the Harness using the provided cable ties.**

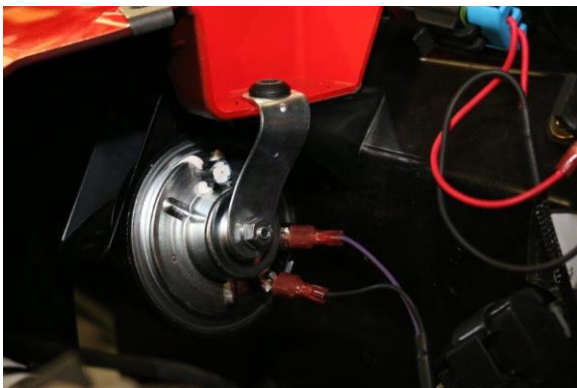
WARNING! Verify that there is clearance behind dash for switch's.

6. **Install Turn and Horn/Hazard Switch** – The switches can be mounted different places on the dash, we use the two cutouts on the driver left side, using a new box knife or sharp tool cut out the two rectangles. NOTE: We have included a switch cutout template in case you want to mount them elsewhere. Push the switch wires through and apply grease (see Below) attach to switch and install in dash.

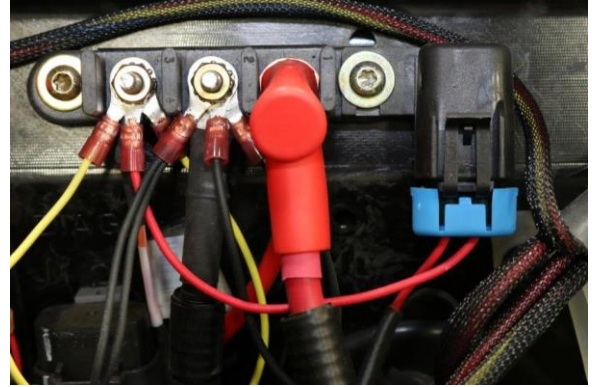
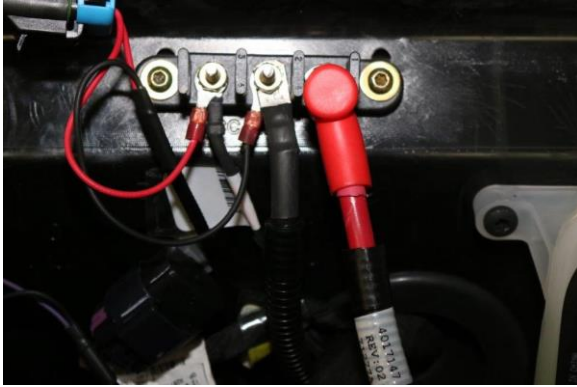


Dielectric Grease - Just like the OEM uses on their switches, we recommend using Dielectric Grease on all switch terminals, this keeps the water out, thereby reducing corrosion and helps increase reliability! Open the grease and put on the switch terminals and the connector terminals on both the Turn and Horn switches, the more the better.

7. **Install Horn** – Install the included horn bracket onto the horn. Remove the Torx screw that holds the body and mount the horn, you will need to bend the bracket to get under hood. Attach the purple and black wire to the horn terminals.



8. **Run power** – Run Fused power wire through the grommet and attach the red wire to the left accessory stud under the hood and ground to the black wire center, mount fuse to screw.



9. Verify operation.

Operation: The System uses momentary switches to activate. Press Right or Left Actuator accordingly. Will cancel as follows.

Press 1 Second for Lane Change, will stay on approx. 8 Seconds / 10 Flashes

Press 2 Seconds for Slowing to Turn Corners, will stay on approx. 20 Seconds / 30 Flashes

Press 5 Seconds for Traffic Lights when stopping and waiting, will stay on approx. 75 Seconds / 110 Flashes

The Systems Automatic Self-Cancelling may be overridden/Shut Off at any time by pushing the activated switch.

Hazard Lights - press to activate and press again to deactivate, it does not self-cancel.

10. Cable tie any extra harness under dash

11. Reinstall dash cover, hood, center tunnel and seats or skid plates if removed.

We can also be reached by email at support@xtcpowerproducts.com

XTC Power Products
A Division of XTC Motorsports LLC
380 E Comstock Dr.
Chandler AZ 85225
480-558-8588
www.xtcpowerproducts.com

*Disclaimer: This kit is intended for off road use only and XTC Motorsports claims no responsibility for it use. It is up to the purchaser to make sure it complies with all Federal, State and Local laws.

R3

Copyright © 2023 XTC MOTORSPORTS LLC, all rights reserved.