



ATS-POL-GBU Turn Signal System

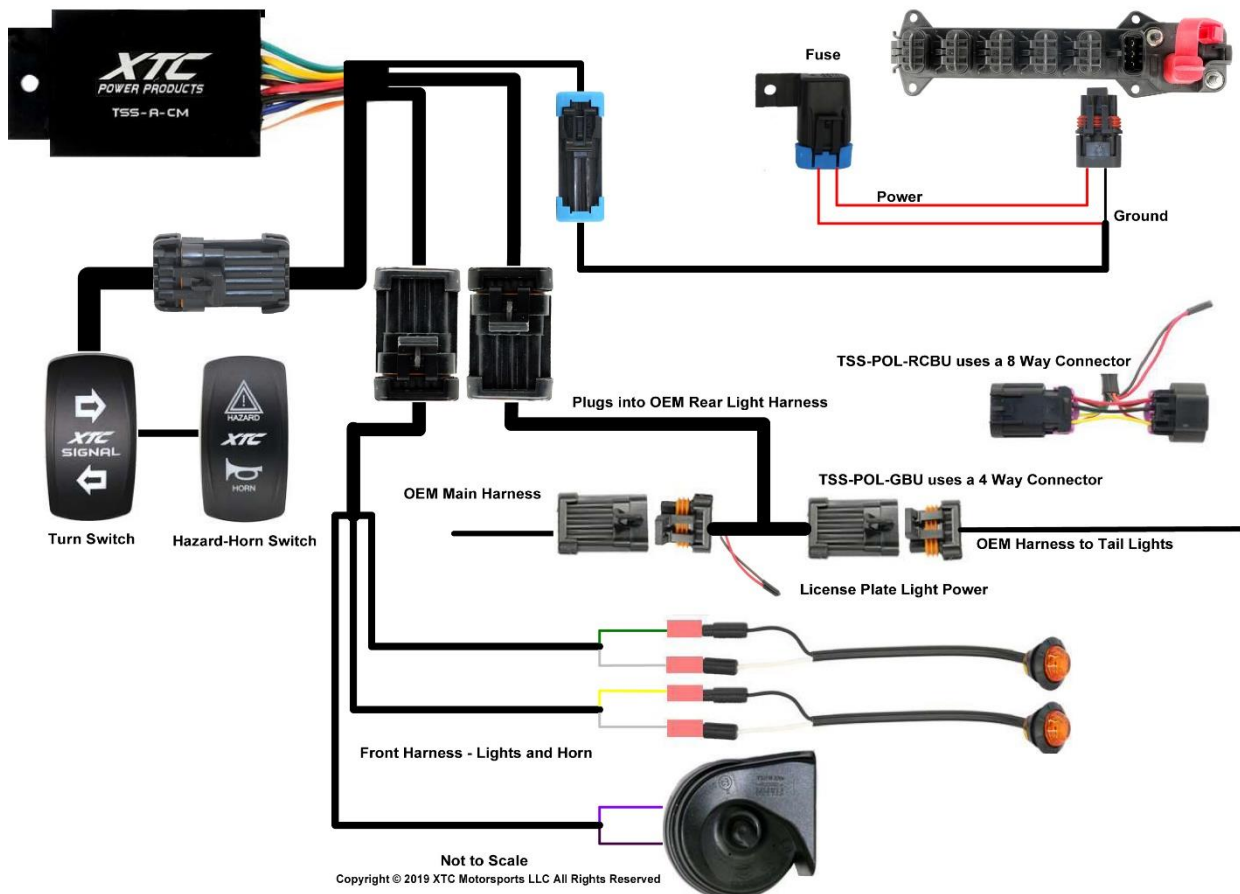
Thank you for purchasing XTC Power Products Automatic Self-Canceling Turn Signal System. Our Easy Install Turn Signal System is unique from the other kits on the market. This kit is from our Plug & Play™ product line, no wires to cut, no crimping with only power, ground and plugs into the OEM Tail Light Harness, utilizing the brake lights as Brake and Turn Signals.

Since this System fits more than one UTV, the below instructions cover basic install instructions. Please remember that the Control Module and switches can be mounted in many places, we only give suggestions. We only interface with the OEM wiring at the Rear Light Harness and the Power Busbar Plugs in under the hood.

The ATS-POL-GBU has a Rear Harness with a 4 Way Connector.

Please read the instructions fully and familiarize yourself with the components before starting the install. The diagram below shows the overall system layout.

ATS-POL-GBU & RCBU Automatic Self-Canceling Turn Signal System



1. Remove the hood and Dash cover if installing under the dash, and the center console or panel



2. Mount the Control Module using the self-tapping screw provided. The Control Box may be mounted under the dash or under the hood. Make sure before mounting the Control Module, that the turn switch harness can make it to the dash where you want the switches mounted.

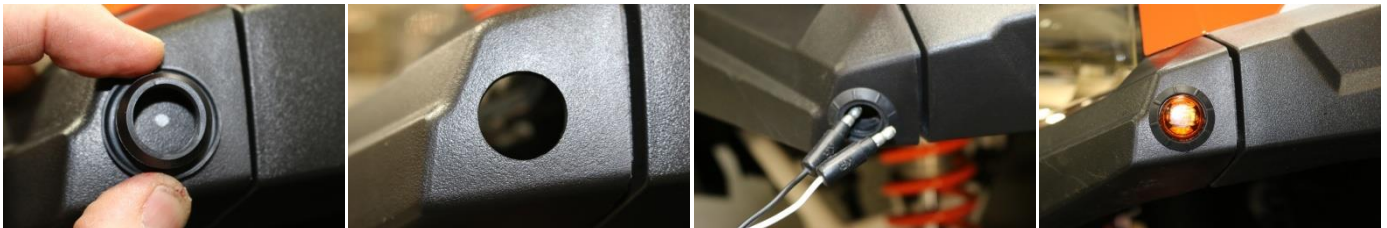
WARNING! Make sure to keep the harness away from any hot or moving parts

3. Under the rear bed is the OEM rear tail light harness, unplug the connector and plug our long harness into it. Run the 4 Pin connector to the front of the car. Follow the air intake tube down to the center of the car, the cable can be pulled through the inspection area in the cab up the fire wall to the Control Module. Insert this connector into the mating module connector.



WARNING! Verify that there is clearance where you want to mount the front LED lights before drilling the holes.

4. Front LED Turn Lights – The front LED Turn Indicators can be mounted with the rubber grommet or without. If the grommet is **not** being used drill 5/8" holes. If the grommet is being used drill 3/4" holes. Remove and install the rubber grommet from the LED into the hole if being used. Insert LED into the hole with the Top marking up. NOTE: the TOP marking is on the front of the LED lens. The Lights may be mounted anywhere on the front of the car, for the sample we chose the corner of the trim because it can be seen from both the front and side of the car, **on the General clearance is very tight.** If choosing this location use the rubber grommet as a template and mark as far forward and as low as you can to avoid lip on inside.



5. Plug the short Front Harness into the Control Module. Run the front right and left wire harness through the center grommet as shown, the green and white wire go to the right side of the car and the yellow and white go to the left side, connect the green wire to right black wire and yellow wire to left black wire and white to white on both. **NOTE: The Black**

LED wire is positive and goes to the yellow and green wires, they will not work if reversed, white is ground. Secure the Harness using the provided cable ties.

6. Install the Turn and Horn/Hazard Switches. Using a new sharp razor, cut two switch rectangles out. Do not over cut, try inserting switch and trim as necessary. It helps to rock the razor to cut.



7. Run Switch Harness – Plug the Switch Harness into the Control Module, run the two connectors through the rectangle switch cutouts and use included grease (see step 9) then connect to turn switch and slide switch into dash.



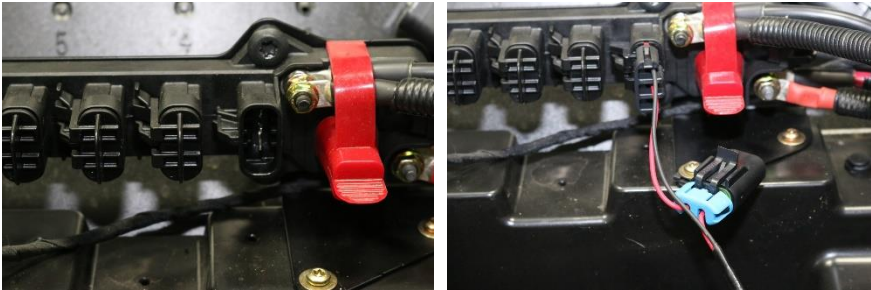
Dielectric Grease - Just like the OEM we recommend using Dielectric Grease on all switch terminals, this keeps the water out and will also reduce corrosion and increases reliability! Open the grease and put on the switch terminals and the connector terminals, the more the better, also put on the Horn/Hazard switch terminals. It should also be used on any extra switches that you may have installed.



8. Do the same as step 7 for the Horn/Hazard Switch
9. Install the Horn. Install the Horn mounting bracket to the horn. Pull out a Busbar Torx screw or using the included #10 x 1" screw, mount the horn in one of the plastic holes as shown above. Connect the violet wire to one of the horn terminals and the black wire to the other terminal.



10. Plug the Power Harness into the Control Module. Run the power wire to the Busbar, remove one of the blanks and plug into the Busbar. Remove the Torx screw and attach the fuse holder and reinstall the Torx screw.



11. **Verify Operation:** The System uses momentary switches to activate. Press the Right or Left Actuator accordingly. You can cancel the signal at any time by pushing the activated switch a second time or it will cancel as follows:

Press 1 Second for Lane Change, will stay on approx. 8 Seconds / 10 Flashes

Press 2 Seconds for Slowing to Turn Corners, will stay on approx. 20 Seconds / 30 Flashes

Press 5 Seconds for Traffic Lights when stopping and waiting, will stay on approx. 75 Seconds / 110 Flashes

The Systems Automatic Self-Cancelling may be overridden/Shut Off at any time by pushing the activated switch.

Hazard Lights - press to activate and press again to deactivate, it does not self-cancel.

12. Using the provided Cable Tie's secure the harness completely. Reinstall removed parts.

We can be reached by email at support@xtcpowerproducts.com

XTC Power Products
A Division of XTC Motorsports LLC
380 E Comstock Dr.
Chandler AZ 85225
480-558-8588
www.xtcpowerproducts.com

*Disclaimer: This kit is intended for off road use only and XTC Motorsports claims no responsibility for it use. It is up to the purchaser to make sure it complies with all Federal, State and Local laws. R3.1
Copyright © 2021 XTC MOTORSPORTS LLC, all rights reserved.