

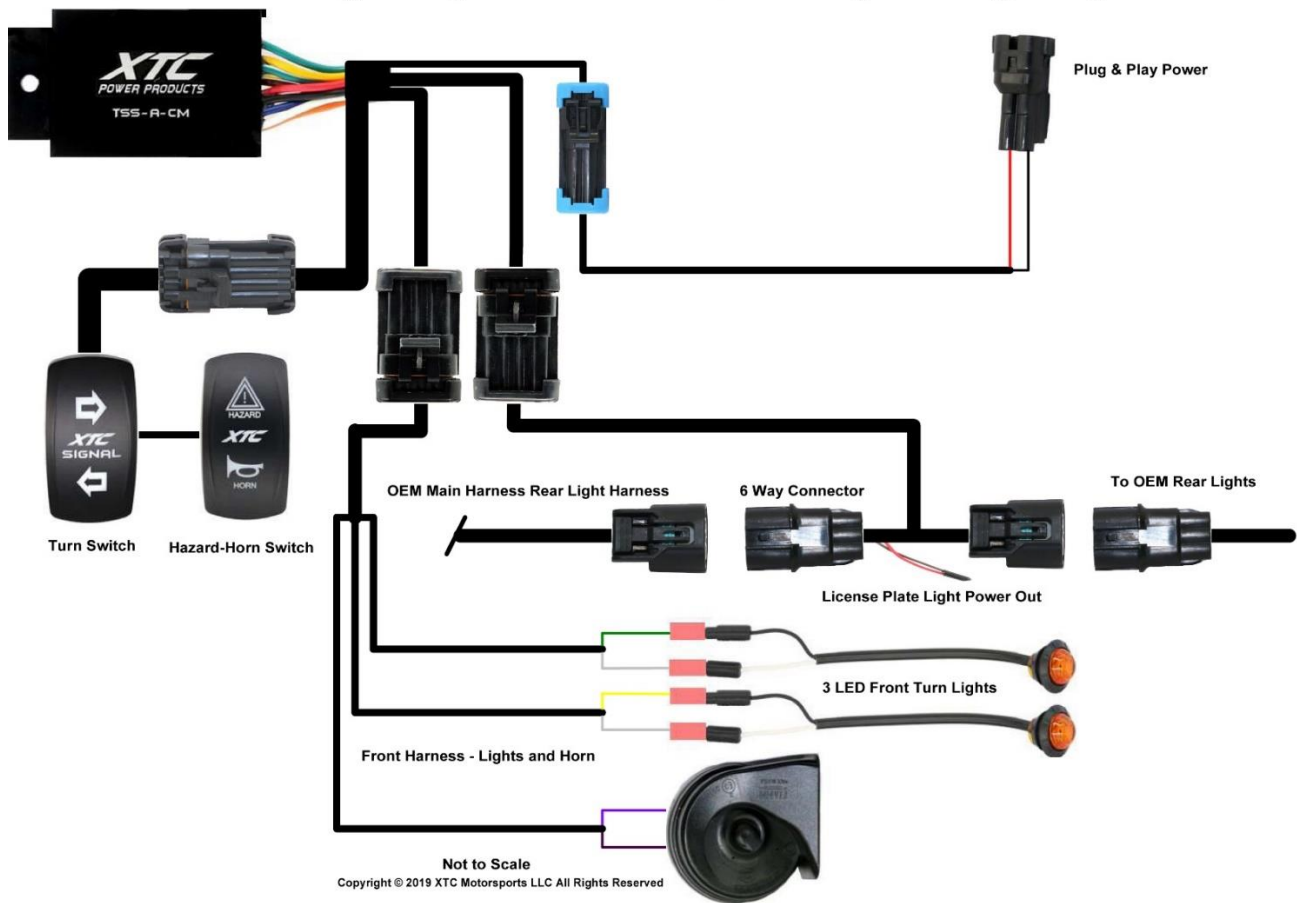


Honda Turn Signal System

Thank you for purchasing XTC Power Products Automatic Self-Canceling Turn Signal System. Our Easy Install Turn Signal System is unique from the other kits on the market. This kit is from our Plug & Play™ product line, with only connecting power, ground and plugs into the OEM Tail Light Harness, utilizing the brake lights as Brake and Turn Signals.

Please read the instructions fully and familiarize yourself with the components before starting the install. Remember that these are basic instruction and you can install in other locations if desired, so feel free to be creative. The only two places that have to interface is at the Rear Wire Harness and at the AUX Power Port next to the Power Steering.
NOTE: When installing make sure that wires are run away from any hot or moving parts and properly secured.

Honda Talon Plug & Play Automatic Self-Canceling Turn Signal System



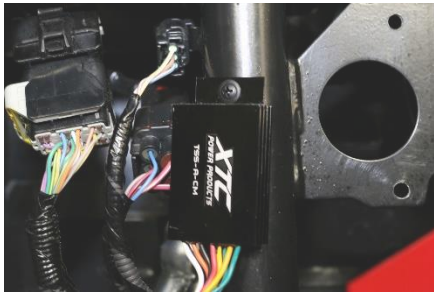
1. Remove the hood and the dash cover by removing 9 Allen Screws, this gives access to inside the Dash



Remove Center Console Plastics and Rear Box Cover to run rear harness.



- Using the provided Self Tapping Screw mount the Control Module under the hood on the bar as shown. Since it is small and light it can also be strapped to the main power harness with the included cable ties.



- Unroll the Rear Harness. Next to the air cleaner, unplug the 6-Way Connector (shown with white arrow) and Plug the rear harness in-line. There is a Black and Red wire provided for power to an optional License Plate Light.



- From the 6-Way Plug, take the 4-pin connector down behind the battery, follow the factory wire harness to the center console, all the way up to the Control Module and Plug-in. Keep it away from any **HOT or MOVING** parts. Using the provided Cable Ties secure it to the main OEM wire harness
- Install Front LED Turn Lights, the front LED Turn Indicators can be mounted with the rubber grommet or without. If the grommet is **not** being used drill 5/8" holes. If the grommet is being used drill 3/4" holes. Remove and install the rubber grommet from the LED into the hole if being used. Insert LED into the hole with the Top marking up. NOTE: the TOP marking is on the front of the LED lens.



6. Install Turn Switch – There are several places the Turn Switch can be mounted, so user preference may dictate where they are mounted. They can be mounted in the upper left-hand corner of the dash or mount the turn switch on the left-hand side of the steering wheel shown below with the arrow and mount the Horn/Hazard on the right side of the steering wheel. Honda uses a custom large switch so you cannot use the blank switch cutout. Using the provided switch template, mark the rectangle for the switch and drill a hole in each corner, using a sharp box knife cut out the rectangle, do not over cut, trim as necessary. Push the switch Connector and wires through and apply grease (see Below) attach to switch and install in dash.

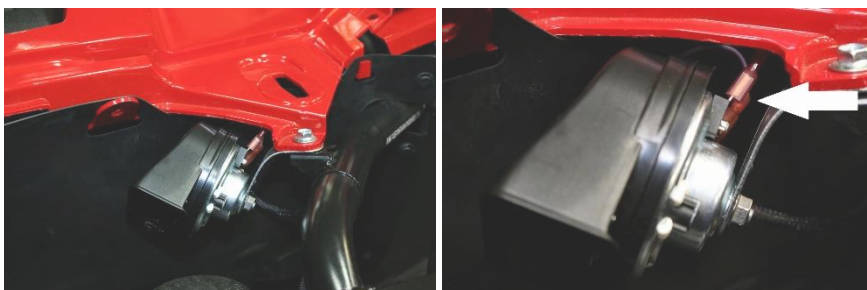


Dielectric Grease - Just like the OEM uses on their switches, we recommend using Dielectric Grease on all switch terminals, this keeps the water out, thereby reducing corrosion and helps increase reliability! Open the grease and put on the switch terminals and the connector terminals on both the Turn and Horn switches, the more the better.

7. Install Hazard Horn Switch - Using the provided switch template, mark the rectangle for the switch and drill a hole in each corner, using a sharp box knife cut out the rectangle. Push the switch Connector and wires through and apply grease and attach to switch and install in dash.
8. Install the Power Harness. Next to the Power Steering unit is a blue connector, un-plug the blue connector from the holder by lifting on the small center tab, plug the ATS Power Harness in and Plug the other end into the Control Module.



9. Mount the Horn, it will be mounted under one of the 3 forward Dash Cover Torx screws. Prepare the horn by bending the horn bracket with a pair of pliers and install it when you reinstall the Dash Cover. Attach the Violet and Black wires to the horn terminals as shown below with the white arrow, position does not matter.



10. Verify operation of all lights and secure all installed cables with supplied cable ties and re-install vehicle parts

Operation: The System uses momentary switches to activate. Press Right or Left Actuator accordingly. Will cancel as follows.

Press 1 Second for Lane Change, will stay on approx. 8 Seconds / 10 Flashes

Press 2 Seconds for Slowing to Turn Corners, will stay on approx. 20 Seconds / 30 Flashes

Press 5 Seconds for Traffic Lights when stopping and waiting, will stay on approx. 75 Seconds / 110 Fl.

The Systems Automatic Self-Cancelling may be overridden/Shut Off at any time by pushing the activated switch. Hazard Lights - press to activate and press again to deactivate, they do not self-cancel.

Optional - The Tan wire next to the Turn Switch is for an optional Dash Indicator. When the ATS is activated it will flash 12 VDC that can be attached to an Optional Dash Mounted LED Light. More Information can be found at www.xtcinstall.com

We can be reached by email at support@xtcpowerproducts.com

XTC Power Products
A Division of XTC Motorsports LLC
925 N McQueen RD. #101
Gilbert AZ 85233
480-558-8588
www.xtcpowerproducts.com

*Disclaimer: This kit is intended for off road use only and XTC Motorsports claims no responsibility for its use. It is up to the purchaser to make sure it complies with all Federal, State and Local laws. R1

Copyright © 2019 XTC MOTORSPORTS LLC, all rights reserved.