

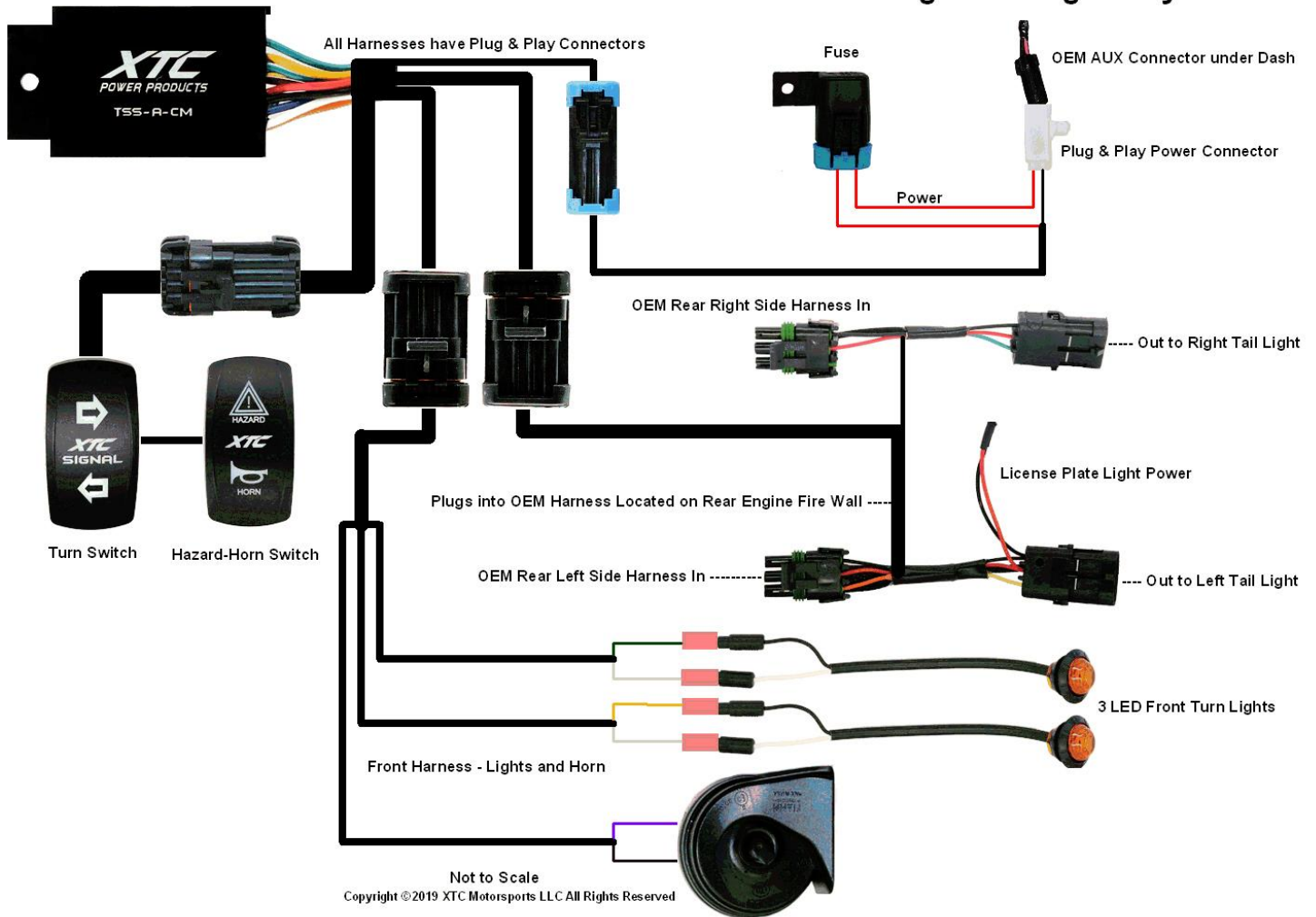


Can-Am X3 Self-Canceling Turn Signal System

Thank you for purchasing XTC Power Products Automatic Self-Canceling Turn Signal System. Our Easy Install Turn Signal System is unique from the other kits on the market. This kit is from our Plug & Play™ product line, no wires to cut, no crimping with Plugs into the AUX Power Connector under the dash and plugs into the OEM Tail Light Harness, utilizing the brake lights as Brake and Turn Signals.

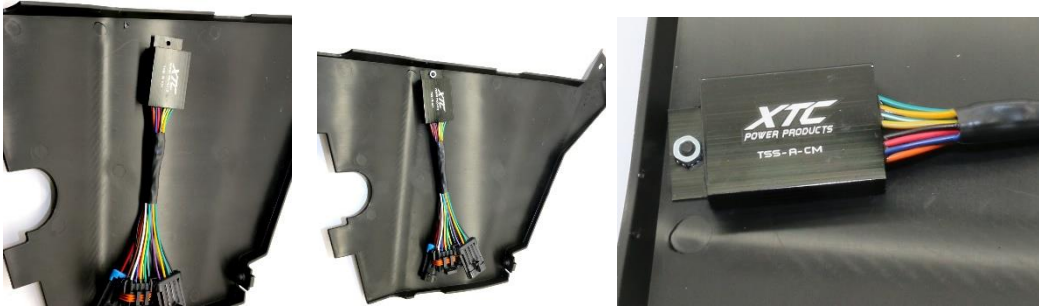
Fits Can-Am Maverick X3 2 and 4 seat models

ATS-MAVX3 Automatic Self-Canceling Turn Signal System



Please read the instructions fully and familiarize yourself with the components before starting the install.

1. **Remove** the driver side kick panel by removing the two Torx screws. If desired the fender maybe removed but not necessary.
2. **Mount the Control Module** – On the Kick Panel in the right side of top center as shown mark and drill a ¼” hole. Using the supplied Screw and Locking Nut attach the CM to the inside of the kick panel.



3. **Run the Rear Harness** - Starting at the rear driver’s side light harness, these connections are on the plastic wall in the front engine area, take the end of the cable with two connectors on it and run it from the OEM Rear Light Harness on the Driver's side to the OEM Rear Light Harness on the Passenger side, follow the factory wiring, unplug both harness and install our harness into the factory harness. Secure using the supplied cable ties



4. **Run the other end** - of the rear harness to the front kick panel. The plastic has a perforated circle behind the driver's seat or rear seat behind the driver on the MAX, at this location you can push the rear harness single connector through the plastic gap to the passenger compartment, follow the frame along the driver's side, the harness can be hidden in the side panels and goes up behind the removed kick panel and plug it into the mating connector on the Control Module.

WARNING! Verify that there is clearance before drilling holes for the LED's or switches.

5. **Install Front LED Turn Lights** – The front LED Turn Indicators can be mounted with the rubber grommet or without. If the grommet is **not** being used drill 5/8” holes. If the grommet is being used drill ¾” holes. Remove and install the rubber grommet from the LED into the hole if being used. Insert LED into the hole with the Top marking up. NOTE: the TOP marking is on the front of the LED lens.



6. **Install Front Harness** - Starting from behind the radiator run the short front harness's 4 pin connector through center rubber seal along the factory wiring, from the inside pull it through and run it over the brake mount and steering mount over to control module and plug into the mating connector in the kick panel mounted Control Module.



7. **Attach Front Harness to lights** - The Green and white wire go to the right/passenger side LED, attach the Green to the Black and the White to the White, the Yellow and white wire go to the Left/Driver side LED, attach the yellow to the Black and the white to the White (above right photo). NOTE: Black wire is positive and go to the Green and Yellow, they will not work if reversed. White is ground. Secure the Harness using the provided cable ties.

8. **Install Activation Switches** - Attach the Switch Harness to the Control Module. Remove one of the switch blanks and run our 10-pin switch connector through the opening, grease the terminals with the supplied grease and attach to our switch and insert the switch into the opening.



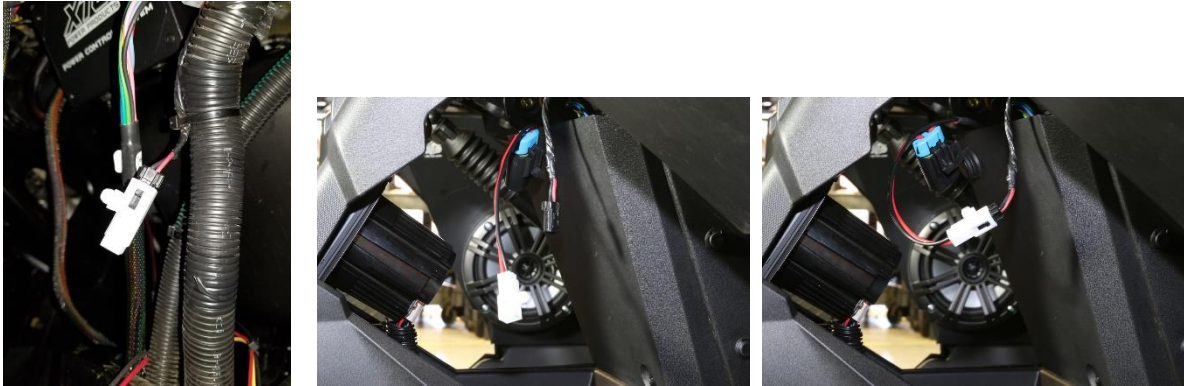
9. **Install Hazard/Horn Switch** - - Remove one of the switch blanks and run our 10-pin switch connector through the opening, grease the terminals with the supplied grease and attach to Hazard/Horn switch and insert the switch into the opening.

Note: Dielectric Grease - Just like the OEM uses on their switches, we recommend using Dielectric Grease on all switch terminals, this keeps the water out, thereby reducing corrosion and helps increase reliability! Open the grease and put on the switch terminals and the connector terminals on both the Turn and Horn switches, the more the better.

10. **Install Horn** - Install the horn bracket onto the horn with the provided hardware. Remove the bolt from the brake line T mount next to the rubber grommet in the fire wall and install Horn Bracket under it and reinstall bolt. Attach Violet and Black wire from front harness to the horn terminals.



11. **Run power wire** – Remove the **Center** plastic cover under the dash exposing the main wire harness. Cut the cable tie that holds the AUX Plug to make it simpler to use, the connector maybe in the back of the harness hidden, un-plug the OEM accessory port cover (White Plug) by pushing the center button. Plug the 2-Way power Connector into the Control Module and run the power wire over to the AUX connector and plug into this port, it shares the same fuse as the accessory outlet on the dash (Cigar-Lighter). If the accessory port is already being used, we offer a Can-Am power port splitter. (Not Included) Part # CAN-AUX-SPLIT



12. Re-install the Kick Panel. Verify operation of all lights. Cable tie any extra harness under dash.

Operation: The System uses momentary switches to activate. Press Right or Left Actuator accordingly. Will cancel as follows.

Press 1 Second for Lane Change, will stay on approx. 8 Seconds / 10 Flashes

Press 2 Seconds for Slowing to Turn Corners, will stay on approx. 20 Seconds / 30 Flashes

Press 5 Seconds for Traffic Lights when stopping and waiting, will stay on approx. 75 Seconds / 110 Flashes

The Systems Automatic Self-Cancelling may be overridden/Shut Off at any time by pushing the activated switch.

Hazard Lights - press to activate and press again to deactivate, it does not self-cancel.

Optional - The Tan wire next to the Turn Switch is for an optional Dash Indicator. When the TSS is activated it will flash 12 VDC that can be attached to an Optional Dash Mounted LED Light it is non-directional, flashes for both right and left signals. Also included is a Terminal that can be installed to make the Turn Indicator in the Can-AM X3 Display flash when activated. More Information can be found at www.xtcinstall.com

We can also be reached by email at support@xtcpowerproducts.com

XTC Power Products
A Division of XTC Motorsports LLC
925 N McQueen RD. #101
Gilbert AZ 85233
480-558-8588
www.xtcpowerproducts.com

*Disclaimer: This kit is intended for off road use only and XTC Motorsports claims no responsibility for it use. It is up to the purchaser to make sure it complies with all Federal, State and Local laws.

R8

Copyright © 2019 XTC MOTORSPORTS LLC, all rights reserved.