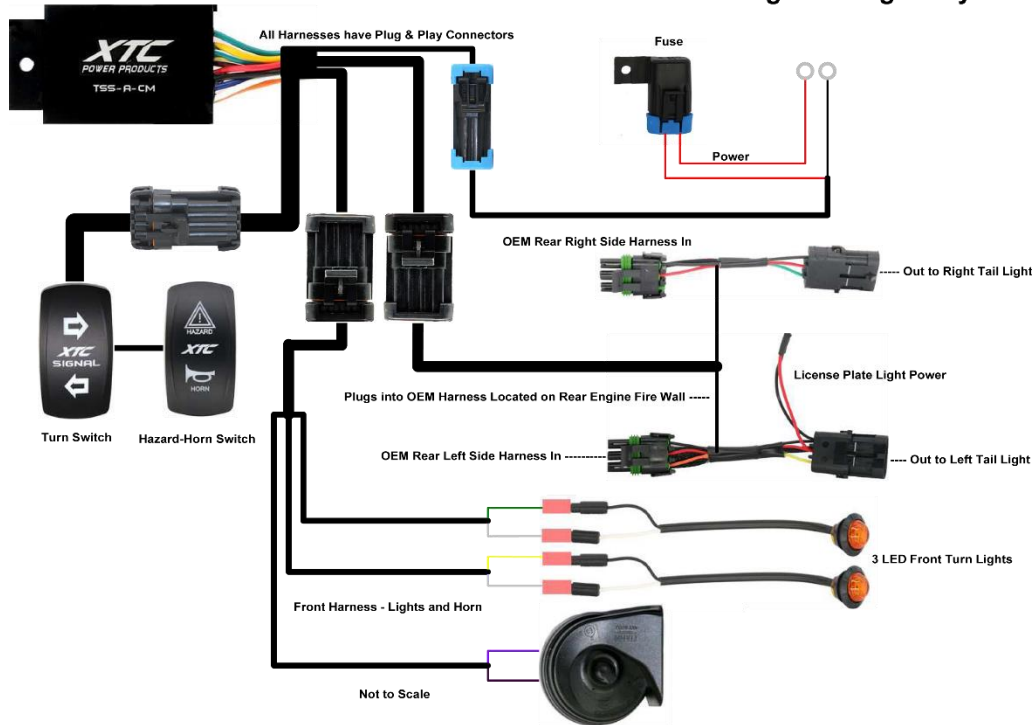




Can-Am Maverick Self-Canceling Turn Signal System

Thank you for purchasing XTC Power Products Automatic Self-Canceling Turn Signal System. Our Easy Install Turn Signal System is unique from the other kits on the market. This kit is from our Plug & Play™ product line, no wires to cut, no crimping just connect power under the dash and plug into the OEM Tail Light Harness, utilizing the brake lights as Brake and Turn Signals. Fits Can-Am Maverick 2 and 4 seat models

ATS-CAN-MW3 Automatic Self-Canceling Turn Signal System



Please read the instructions fully and familiarize yourself with the components before starting the install.

1. **Remove** the Passenger seat, Center Plastic Console along with the Right and Left side rear plastic covers



2. **Run the Rear Harness** – Un-roll the rear long harness, take the end with the one 4-way connector, starting in the center console at the seat belt mounts run it up to the front of the tunnel following the main OEM wire harness. Pull it through until the split for the right and left are at the rear of the center console.



3. **Run the other ends** – of the rear harness with the Yellow wire to the driver's side panel, the one with the Green wire is run to the passenger side panel under the plastic rear panels that were removed where the cage goes into the plastics. Un-plug the factory harness and plug our harness in-line on both sides.



WARNING! Verify that there is clearance before drilling holes for the LED's or switches.

4. **Install Front LED Turn Lights**–The front LED Turn Indicators can be mounted with the rubber grommet or without. If the grommet is **not** being used drill 5/8” holes. If the grommet is being used drill 3/4” holes. Remove and install the rubber grommet from the LED into the hole if being used. Insert LED into the hole with the Top marking up. NOTE: the TOP marking is on the front of the LED lens.



5. **Install Horn** - Install the horn bracket onto the horn with the provided hardware. Mount horn on Fire Wall.

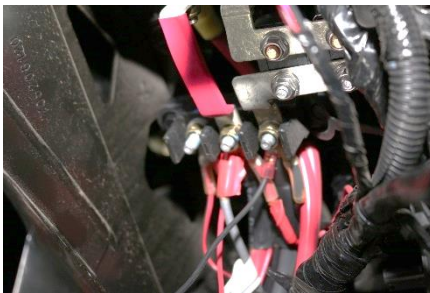
6. **Install Front Harness** - Starting from behind the radiator run the short front harness's 4 pin connector through center rubber seal into the center console. Attach the Front Harness to lights and Horn- The Green and White wire go to the right/passenger side LED, attach the Green to the Black and the White to the White, the Yellow and White wire go to the Left/Driver side LED, attach the Yellow to the Black and the White to the White. NOTE: Black wire is positive and go to the Green and Yellow, they will not work if reversed. White is ground. Attach Violet and Black wire from front harness to the horn terminals. Secure the Harness using the provided cable ties.



7. **Mount the Control Module**– Using the provided screw or cable tie mount the Control Module next to the main wire harness, Plug the front and rear harness in.



8. **Run power wire** – Plug the two pin Power Connector into the Control Module, run the other end up to the OEM busbar under the dash. Attach the ring terminal with the Red Wire to the left Keyed Power Post and the Ground to the Right Ground Post, do not connect to the center full time Power Post.



9. **Install Activation Switches** – The switches may be mounted on the dash or in the center console. Using a sharp razor cut two rectangles, do not over cut, cut inside the lines and trim to fit.



10. **Install Switch Harness** – Plug the large switch connector into the Control Module and run the Switch Connectors to the switches. Apply grease to the Switch Terminals and plug switches into connectors and re-install plastic cover.



Note: Dielectric Grease- Just like the OEM uses on their switches, we recommend using Dielectric Grease on all switch terminals, this keeps the water out, thereby reducing corrosion and helps increase reliability! Open the grease and put on the switch terminals and the connector terminals on both the Turn and Horn switches, the more the better.

11. Verify operation of all lights. Cable tie any extra harness under dash. Re-install plastics and seat.

Operation: The System uses momentary switches to activate. Press Right or Left Actuator accordingly. Will cancel as follows.

Press 1 Second for Lane Change, will stay on approx. 8 Seconds / 10 Flashes

Press 2 Seconds for Slowing to Turn Corners, will stay on approx. 20 Seconds / 30 Flashes

Press 5 Seconds for Traffic Lights when stopping and waiting, will stay on approx. 75 Seconds / 110 Flashes

The Systems Automatic Self-Cancelling may be overridden/Shut Off at any time by pushing the activated switch.

Hazard Lights - press to activate and press again to deactivate, it does not self-cancel.

Optional - The Tan wire next to the Turn Switch is for an optional Dash Indicator. When the TSS is activated it will flash 12 VDC that can be attached to an Optional Dash Mounted LED Light it is non-directional, flashes for both right and left signals. Also included is a Terminal that can be installed to make the Turn Indicator in the Can-AM X3 Display flash when activated. More Information can be found at www.xtcinstall.com

We can also be reached by email at support@xtcpowerproducts.com

XTC Power Products
A Division of XTC Motorsports LLC
925 N McQueen RD. #101
Gilbert AZ 85233
480-558-8588
www.xtcpowerproducts.com

*Disclaimer: This kit is intended for off road use only and XTC Motorsports claims no responsibility for its use. It is up to the purchaser to make sure it complies with all Federal, State and Local laws.

R1

Copyright © 2019 XTC MOTORSPORTS LLC, all rights reserved.